

DIPOD 4M

THE DIPOD ROOFTOP SYSTEM

is a 4 m (13 ft) high fixed rooftop solution designed for installation of any kind of panel antenna, small radio link or other common telecom equipment.

FLEXIBILITY

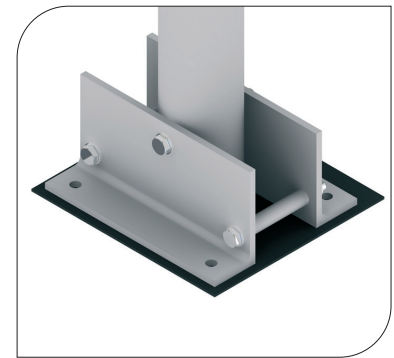
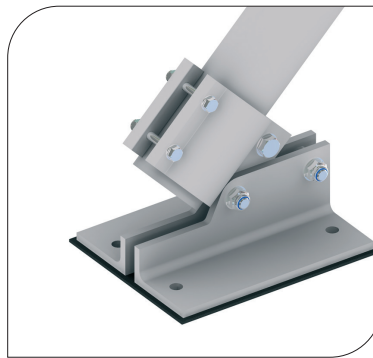
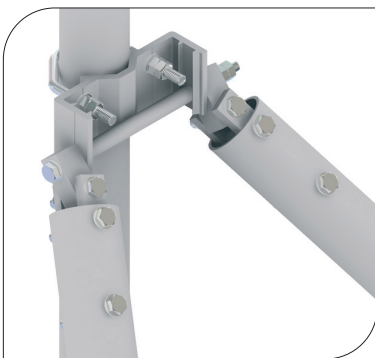
The dipodsystem is a system with the capability of handling all possible roof inclinations. The supports are bolted through the roof to ensure a firm anchoring. The antenna mounting tube is supported by two stays to ensure stability.

QUALITY

The mounting tube and support tubes with brackets are made of anodized aluminium. This gives the system excellent corrosion resistance and a long life. A 3 mm (0,12 in) EPDM rubber sheet is placed under the Supports to protect the roof.

EASY ASSEMBLY

The choice of materials makes the product very light which makes the handling and installation very easy.



ORDER AND TECHNICAL INFORMATION

DRAWING NO:	CD 823197 4M			
FUNCTION DESCRIPTION:	Fixed mounted roof top, typical for installation of panel antennas, radio links or other common telecom equipment.			
MECHANICAL DATA:				
MOUNTING TUBE:	SUPPORT TUBES:	TUBES AND BRACKETS:	U-BOLTS AND FASTENERS:	
Ø90, L=4000 (Ø3,5 in, L=157 in)	Ø75, L = 3000 (Ø3,0 in, L=118 in)	Aluminium, Nature anodized 20µm	Acid proof stainless steel	
PACKAGE DIMENSIONS:				
PACKAGE 1	LENGTH:	WIDTH:	HEIGHT:	WEIGHT:
PACKAGE 2	460 mm (18,1 in)	150 mm (5,9 in)	180 mm (7,1 in)	11,5 kg (25,3 lb)
	4000 mm (157 in)	150 mm (5,9 in)	200 mm (7,9 in)	29 kg (64 lb)

NOTE! Roof attachment bolts are not included.

Quality Design